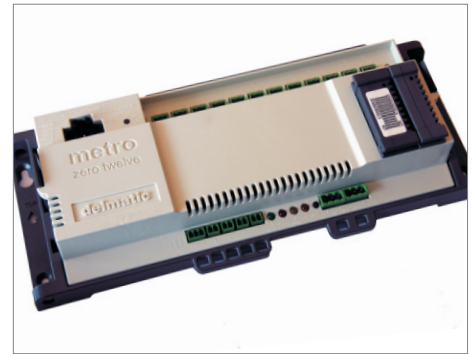


DALI Zero Twelve module

product ref: 206A1

sheet 1/2

The module provides individual control and automatic addressing of twelve DALI lamps.

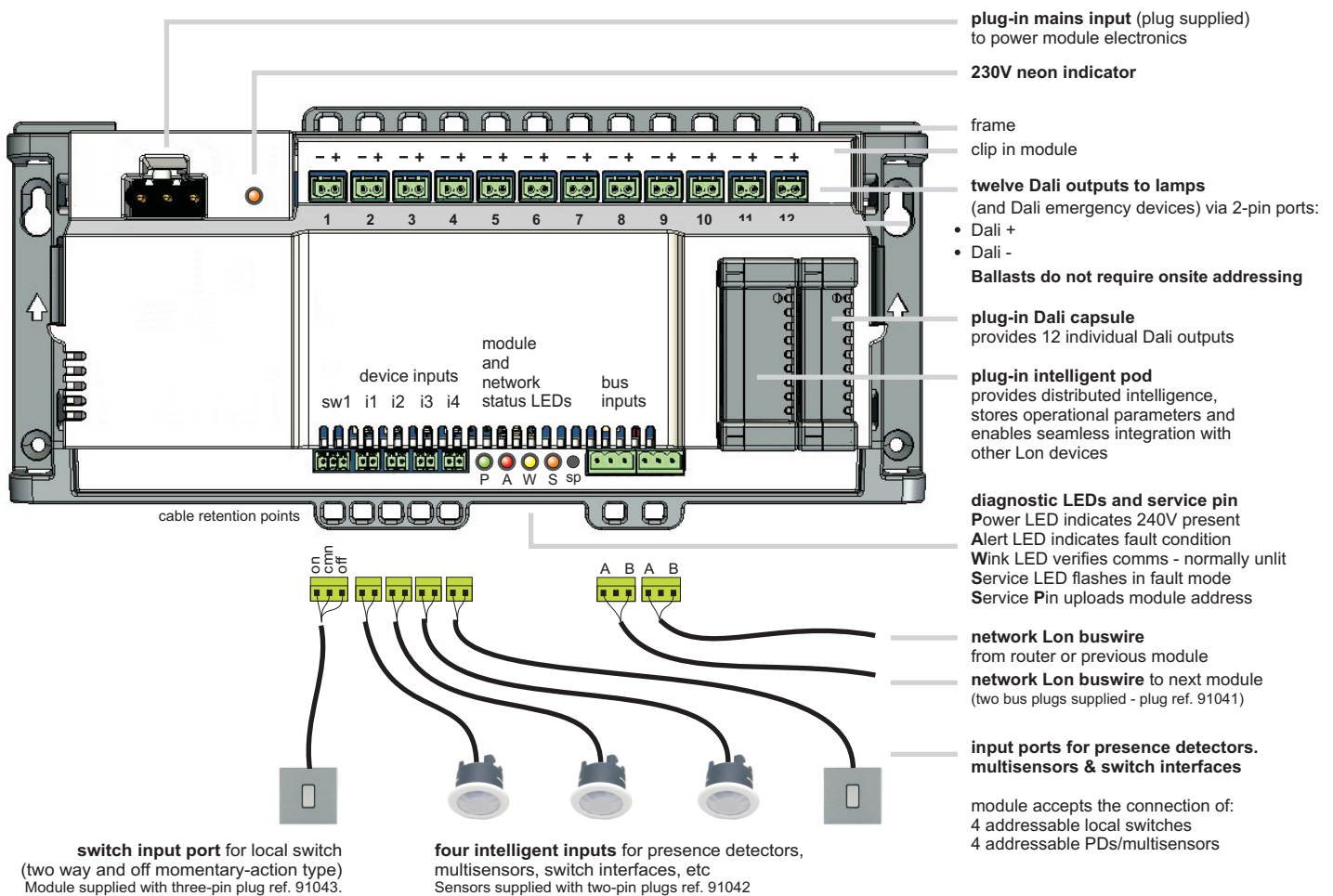


36

- 12 individually addressed DALI outputs
- individual DALI lamp and ballast failure monitoring
- individual DALI emergency light testing and monitoring
- total plug-in connectivity for speed and convenience
- 2-pin ports provide switched DALI pair to each lamp
- Dali without addressing feature avoids on-site addressing of ballasts
- reduces time and cost of commissioning and simplifies maintenance
- designed for single or two-fix installation via wall-mount or drop-rods

The module provides a DALI signal to each lamp while the mains supply is fed directly to the lamps and powers the module. Multiple power supplies to the lamps are possible but because DALI is not SELV they should be limited to single phase.

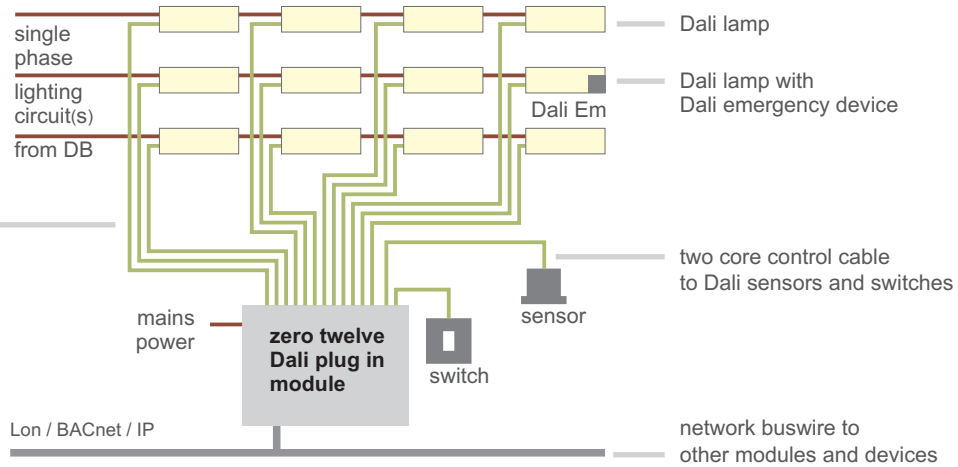
module features



connection details

Lighting circuit(s) wire direct to lamps from distribution board. Multiple circuits are possible but because DALI is not SELV should be limited to single phase.

2-core cable
Dali +
Dali -



technical details

supply voltage

1 x 220-240V~ 50/60Hz single phase power supply protected by fused spur

outputs

mains supply to power lamps is wired direct from distribution board to lamps
12 Dali outputs (ports are pre-addressed so ballasts do not require on-site addressing)

Dali monitoring

Module monitors individual lamp/ballast failure on each of the twelve Dali outputs
Module monitors individual Dali emergency lamp/device on each of the twelve Dali outputs

emergency monitoring

Dali emergency monitoring devices can be connected to the Dali bus from each port and are individually addressed for emergency test and monitoring purposes.

local switch inputs

1 plug-in port (3-pin - sw1) for connection of conventional monetary action switch
4 plug-in ports (2-pin - i1-i4) for connection of Dali sensors & switches (max 1 sq.mm cable).

network Lon bus inputs

2 plug-in ports for twisted pair Lon network bus connection.

buswire specification

for latest buswire specifications refer to Buswire Specification data sheet

diagnostic LEDs

Neon - shows 240v present.
Power LED - shows secondary power circuit operational.
Alert LED - indicates short on the sensor bus or issue with Communication card.
Wink LED - winks when instructed through software
Service LED - indicates fault mode.

construction

flame-retardant low smoke moulded housing

ambient temperature / relative humidity

0 to +50°C / 20% to 90% non condensing

dimensions (mm)

345 w x 155 h x 60 d (100 mm depth including mains plug)

Lon specification



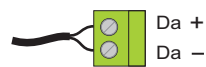
FT5000 Neuron and FTX3 transceiver conforms to LonMark 3.4 profiles:

| | |
|--------------------------------|--------|
| 4 switch objects | # 3200 |
| 4 light sensor objects | # 1010 |
| 4 occupancy sensor objects | # 1060 |
| 12 open-loop actuator objects | # 0003 |
| 4 occupancy controller objects | # 3071 |
| 4 light controller objects | # 3050 |

plug details

DALI output to lamps (plug supplied)

(Dali - and Dali +)



mains input to module (plug supplied)

3 pole female plug with locking device (Live, Earth, Neutral)

