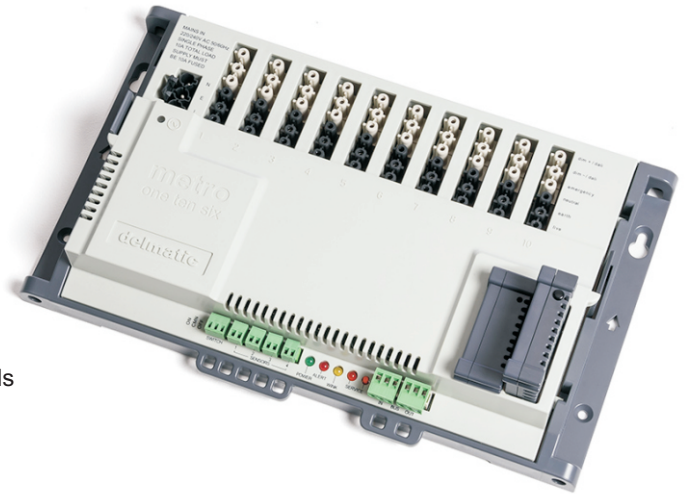


One Ten plug-in module

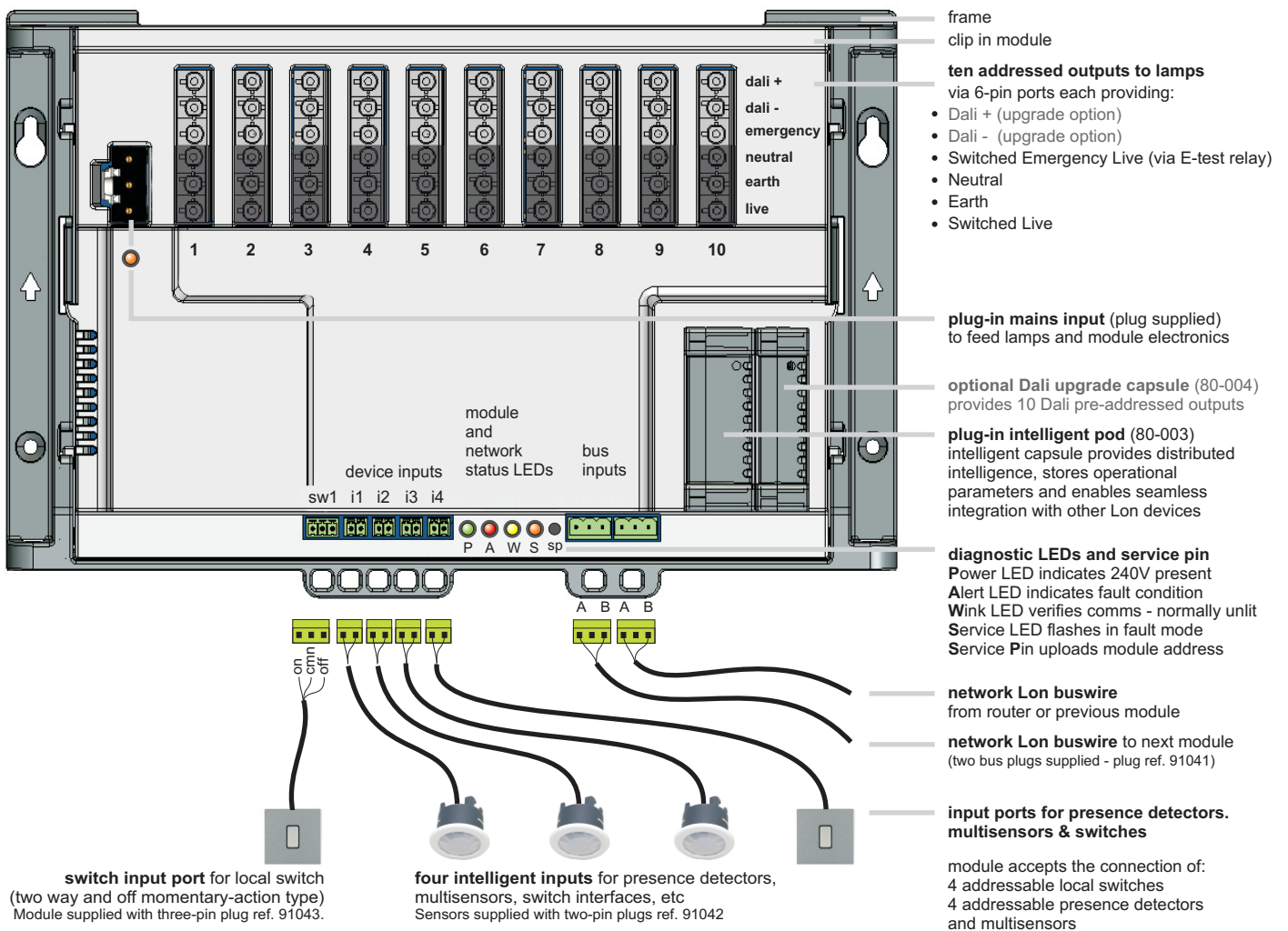
product ref: 201A1

The module provides individual addressable switching of ten outputs (luminaires) as well as control of other devices including fan-coils and blinds.

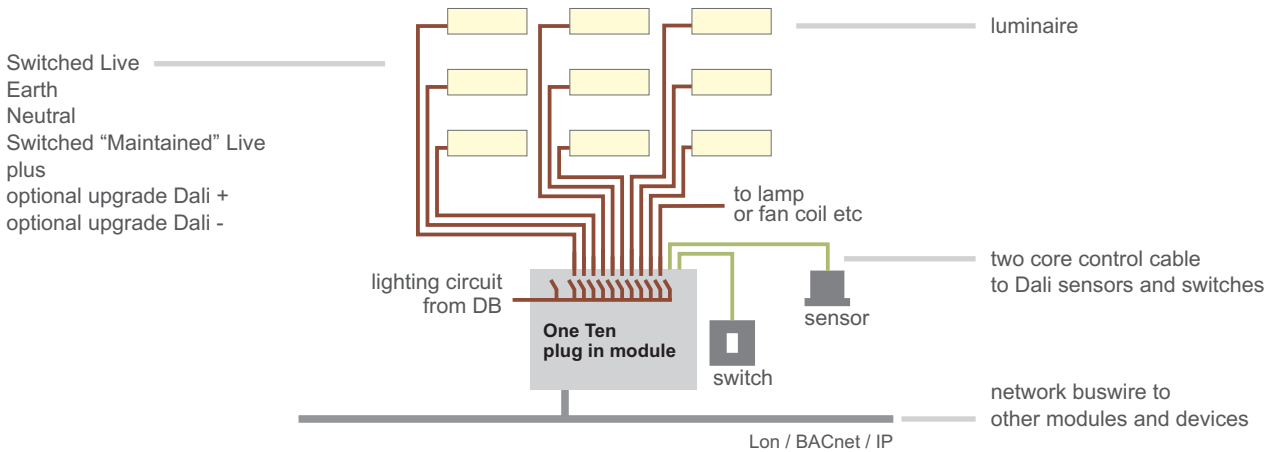
- 10 individually addressed 230V switched outputs via relays
- 10A maximum loading
- total plug-in connectivity for speed and convenience
- 6-pin ports provide switched 230V output to each lamp
- designed for single or two-fix installation via wall-mount or drop-rods
- accepts plug-in upgrade to DALI operation



module features



connection details



technical details

supply voltage

1 x 220-240V~ 50/60Hz single phase 10A lighting circuit protected by 10A MCB

outputs

10 switched outputs (10A resistive, 3A inductive)

1 switched emergency test output for "maintained" live to all ports

upgrade to provide 10 Dali outputs (ports are pre-addressed so ballasts do not require on-site addressing)

Dali monitoring (with upgrade)

Module monitors individual lamp/ballast failure on each of the ten Dali outputs

Module monitors individual Dali emergency lamp/device on each of the ten Dali outputs

local switch inputs

1 plug-in port (3-pin - sw1) for connection of conventional monetary action switch

4 plug-in ports (2-pin - i1-i4) for connection of Dali sensors & switches (max 1 sq.mm cable).

network Lon bus inputs

2 plug-in ports for twisted pair Lon network bus connection.

buswire specification

for latest buswire specifications refer to Buswire Specification data sheet

diagnostic LEDs

Neon - shows 240v present.

Power LED - shows secondary power circuit operational.

Alert LED - indicates short on the sensor bus or issue with Communication card.

Wink LED - winks when instructed through software

Service LED - indicates fault mode.

construction

flame-retardant low smoke moulded housing

ambient temperature / relative humidity

0 to +50°C / 20% to 90% non condensing

dimensions (mm)

345 w x 210 h x 55 d (excludes plugs) and 100 mm depth including capsule & plugs

plug details

output to lamps

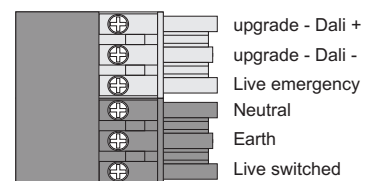
6 pole connector without locking device

Wieland ref: 34.362.0211.1

Switched Live, Earth, Neutral,

Switched Emergency Live,

Dali +, Dali -



mains input to module (plug supplied)

3 pole female plug with locking device

(Live, Earth, Neutral)

