

product ref: 202A1

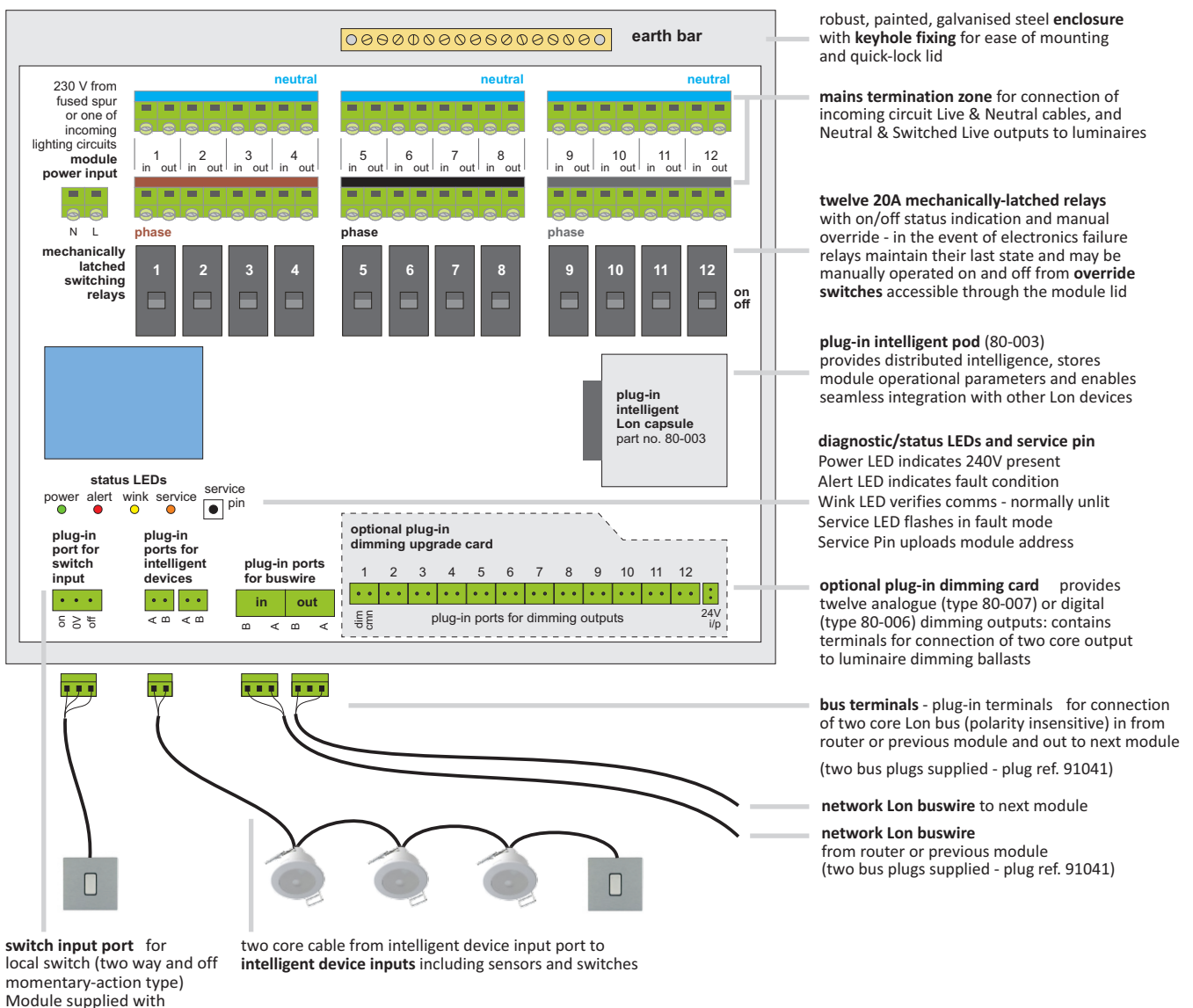
sheet 1/2

The **twelve twelve** module provides flexible addressable control of single and three-phase lighting and power circuits.

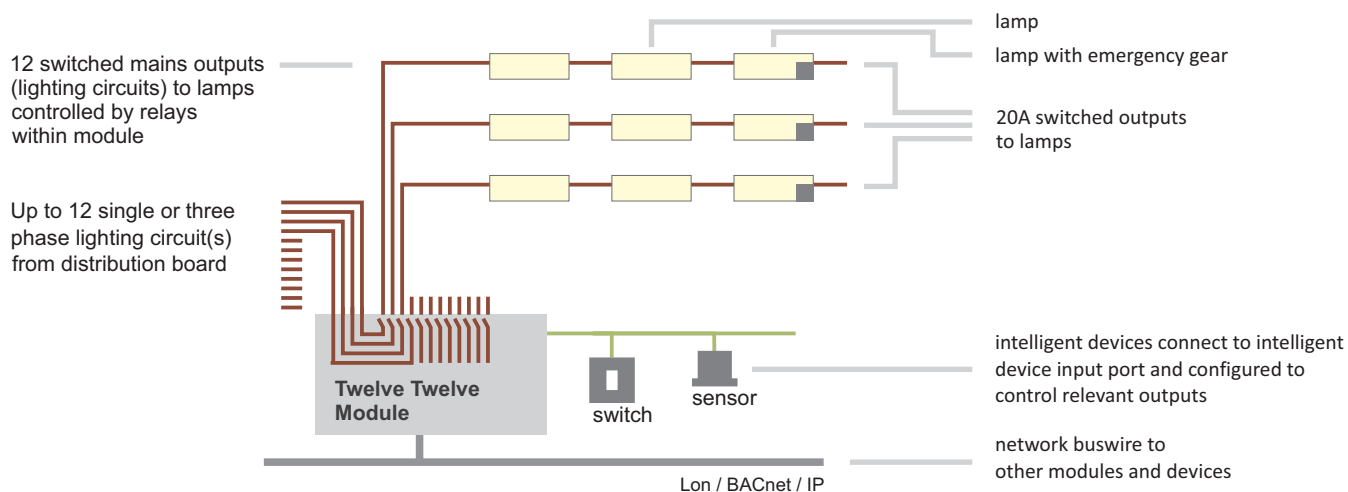
- 12 individually addressed 20A switching outputs
- accepts up to twelve incoming circuits
- equipped with twelve 20A switching relays to control lighting or power circuits
- any relay may be configured to operate as an emergency test output
- fascia override switches enable manual on/off override of each relay output
- sensors and switches connect to a shared intelligent buswire cable
- module comprises a fully-assembled unit comprising robust enclosure; mother board with terminals for live, neutral & earth cables, bus & local switch connections; and plug-in intelligent pod
- accepts plug-in upgrade card for analogue 1-10V or digital Dali dimming



module features



connection details



technical details

mains input

twelve 220-240V~50/60 Hz x 20 Amp single / three phase circuits:
terminals accept 2 x 4 sq.mm cables

module power

module electronics powered from separate terminals: power may be taken from one of the incoming circuits

mains outputs

twelve 20A individually addressed switched outputs via mechanically latched relay with status indication & manual override: loading per circuit 20A.
terminals accept 2 x 4 sq.mm cables

local switch inputs

- 1 plug-in port (3-pin) for connection of conventional monetary action switch
- 1 plug-in port (2-pin) for connection of intelligent devices including Dali sensors & switches (max 1 sq.mm cable).

network Lon bus inputs

2 plug-in ports for twisted pair Lon network bus connection.

buswire specification

for latest buswire specifications and cable lengths refer to Buswire Specification data sheet.

diagnostic LEDs

- Power LED - shows secondary power circuit operational.
- Alert LED - indicates short on the sensor bus or issue with Communication card.
- Wink LED - winks when instructed through software.
- Service LED - indicates fault mode.

construction

painted galvanised steel enclosure finished RAL 7035

ambient temperature / relative humidity

0 to +50°C / 20% to 90% non condensing

dimensions (mm)

330 w x 380 h x 70 d

weight

4.4 kg

Lon specification



FT5000 Neuron and FTX3 transceiver conforms to LonMark 3.4 profiles:

12 switch objects	# 3200
12 light sensor objects	# 1010
12 occupancy sensor objects	# 1060
12 open-loop actuator objects	# 0003
12 occupancy controller objects	# 3071
12 light controller objects	# 3050