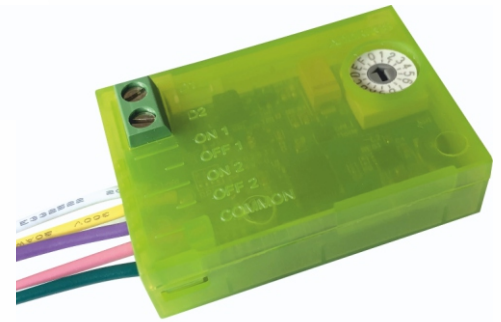


product ref: 119D2

Switch interfaces enable standard momentary-action (two-way-and-off retractive) switches to be converted into system switches or DALI-2 switches: in this way, system switches and DALI-2 switches can have the same plate finish as other electrical accessories in the building.

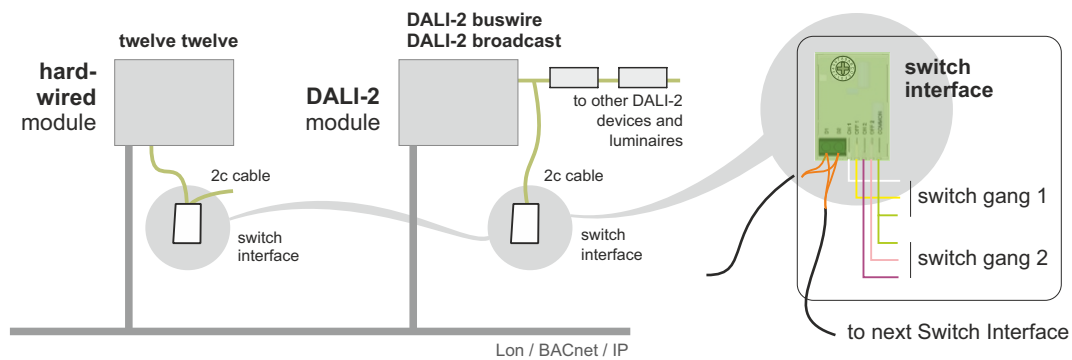
DALI-2 switch interfaces enable two independent switches to be connected to a shared buswire and avoid the need to wire individual switches back to multiple input points. The switch interfaces also connect to the shared DALI buswire which links DALI-2 ballasts, DALI-2 presence detectors and multisensors and DALI-2 emergency devices, reducing the extent of wiring on a project.

The switch interface comprises a compact electronic device that fits within a switch backbox and connects to the switch terminals and to the smart/DALI bus. Switching and dimming actions at the switch are converted into commands which are transmitted to the lighting management network.

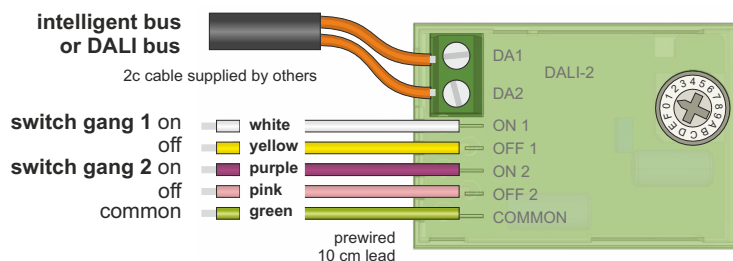


installation

As part of a DALI network **DALI-2 switch interfaces** connect to the shared DALI bus linking DALI-2 drivers, sensors and DALI-2 emergency devices to a DALI-2 buswire or broadcast module or to the intelligent switch input point on a hard-wired **twelve twelve** module.



wiring



configuration

The rotary dial sets the interface to one of sixteen addresses, 1-9 plus 10(A), 11(B), 12(C), 13(D), 14(E), 15(F) & 16(0).



When used with a two-gang switch, setting the dial to one number assigns that address to gang 1 and the next address to gang 2: eg. setting the dial to 3 sets gang 1 to address 3 and gang 2 to address 4.

Parallel or two-way operation is achieved by setting two interface units to the same address.

dimensions 46 mm x 32 mm x 14 mm (h)